

2500 Horsepower GTX NOW AVAILABLE!

September 27, 2016 Garrett by Honeywell releases its next generation GTX5533R performance turbo featuring updated compressor aerodynamics and additional features.

The GTX 5533R Gen II turbocharger is capable of producing up to 2,500 horsepower.

CNC machined wheels developed with state-of-the-art aerodynamic tools used in jet engines allow Honeywell to produce the most efficient wheels in the market.



Available in 85mm, 88mm, 91mm, 94mm, and 98mm inducer diameters to meet the rules for today's fastest drag racing classes with inlet diameter restrictions.

Newly designed compressor housing features a fully machined inlet for improved performance, V-band outlet for mounting flexibility, and integrated speed sensor and pressure signal ports to support tuning and data acquisition. The speed sensor port accepts Garrett's speed sensor kit (sold separately)



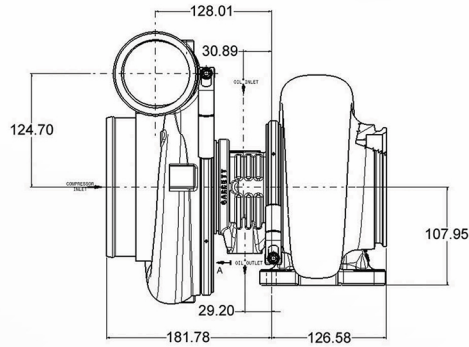
Compressor housing has a new sleeker profile and features a lightweight billet aluminum backplate which is lighter than the previous steel version. This saves four pounds!

GTX5533R GEN II

NOW AVAILABLE

Horsepower: 1000-2500HP

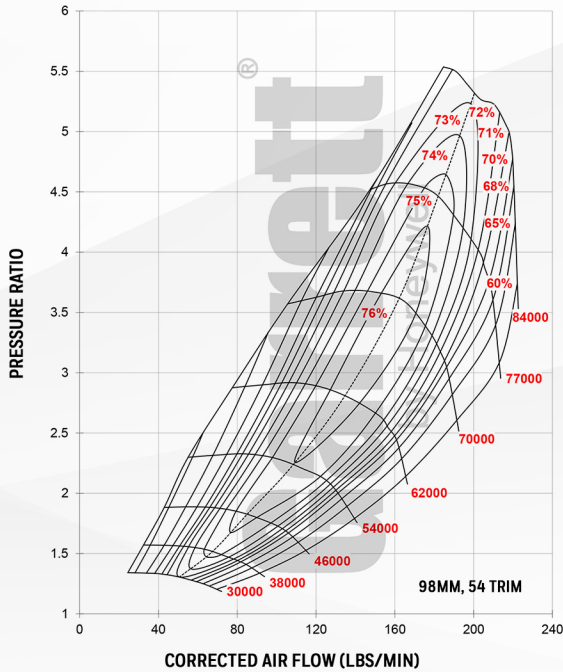
Displacement: 3.0 - 12.0L



MEASUREMENTS IN MM



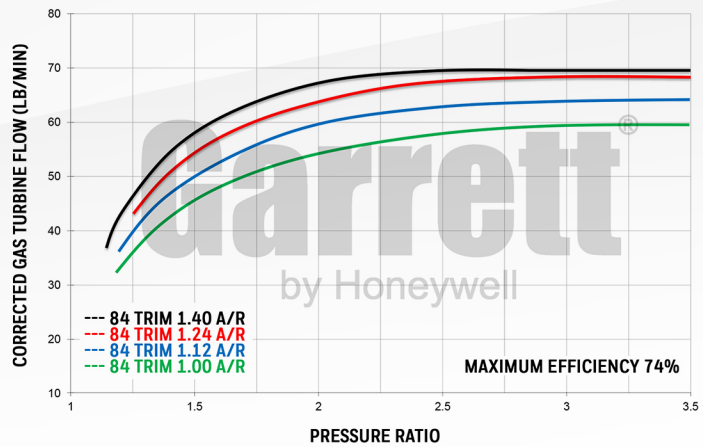
COMPRESSOR MAP



FEATURES:

- ◆ GEN 2 AERODYNAMICS FEATURE INCREASED HORSEPOWER RANGE
- ◆ NEW FULLY-MACHINED SPEED SENSOR PORT
- ◆ LIGHT WEIGHT BILLET BACKPLATE
- ◆ IMPROVED PORTED SHROUD DESIGN FOR SURGE RESISTANCE
- ◆ SFI SUPER CORE AND TURBINE OPTIONS AVAILABLE
- ◆ V-BAND COMPRESSOR OUTLET CONFIGURATION

EXHAUST FLOW CHART



Super Core Reference Data		Compressor				Turbine		
Super Core PN	CHRA	Inducer	Exducer	Trim	A/R	Inducer	Exducer	Trim
851285-5001S	769210-0049	85mm	133	41	0.88	112	102	84
851285-5002S	769210-0050	88mm	133	44	0.88	112	102	84
851285-5003S	769210-0051	91mm	133	47	0.96	112	102	84
851285-5004S	769210-0052	94mm	133	50	0.96	112	102	84
851285-5005S	769210-0053	98mm	133	54	0.96	112	102	84
851285-5007S	769210-0050	88mm	133	44	0.88	112	102	84
Notes:		Turbine Kit PN	A/R	Inlet	Outlet	Wastegate	Divided	Trim
Super Core and Turbine Kit Sold Separately		761208-0014	1.00	Large Frame	V-Band	Free Float	N	84
		761208-0015	1.12	Large Frame	V-Band	Free Float	N	84
		761208-0025	1.24	Large Frame	V-Band	Free Float	N	84
		761208-0017	1.40	Large Frame	V-Band	Free Float	N	84
* SFI Certified Turbine Housings		761208-0026	1.00	Large Frame	V-Band	Free Float	N	84
		761208-0042	1.12	Large Frame	V-Band	Free Float	N	84
		761208-0027	1.24	Large Frame	V-Band	Free Float	N	84
		761208-0043	1.40	Large Frame	V-Band	Free Float	N	84
		761208-0044	1.78	Large Frame	V-Band	Free Float	N	84