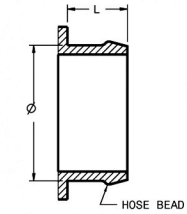


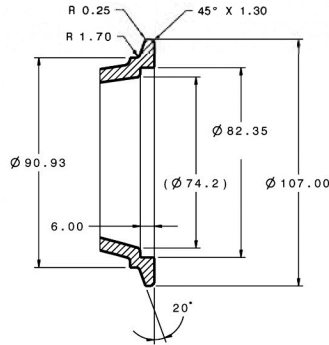
**Compressor Inlet**

HOSE CONNECTIONS  
TABULATED AS (Ø x L)

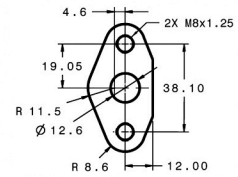


Ø 152.4 x 32

**Compressor Outlet**

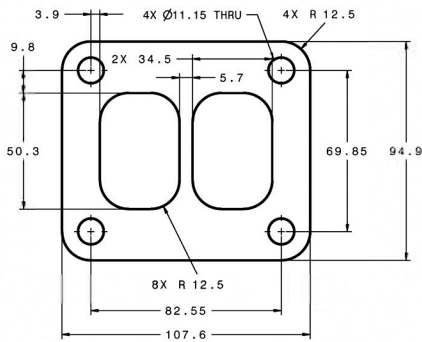


**Oil Inlet**

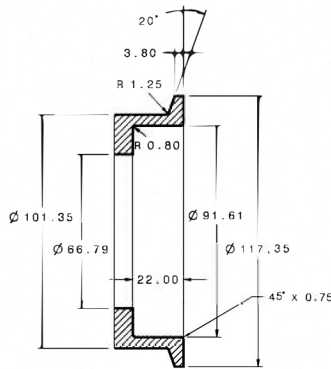


**Turbine Inlet**

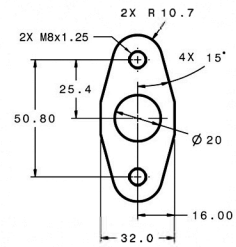
"T4 DIVIDED"



**Turbine Outlet**

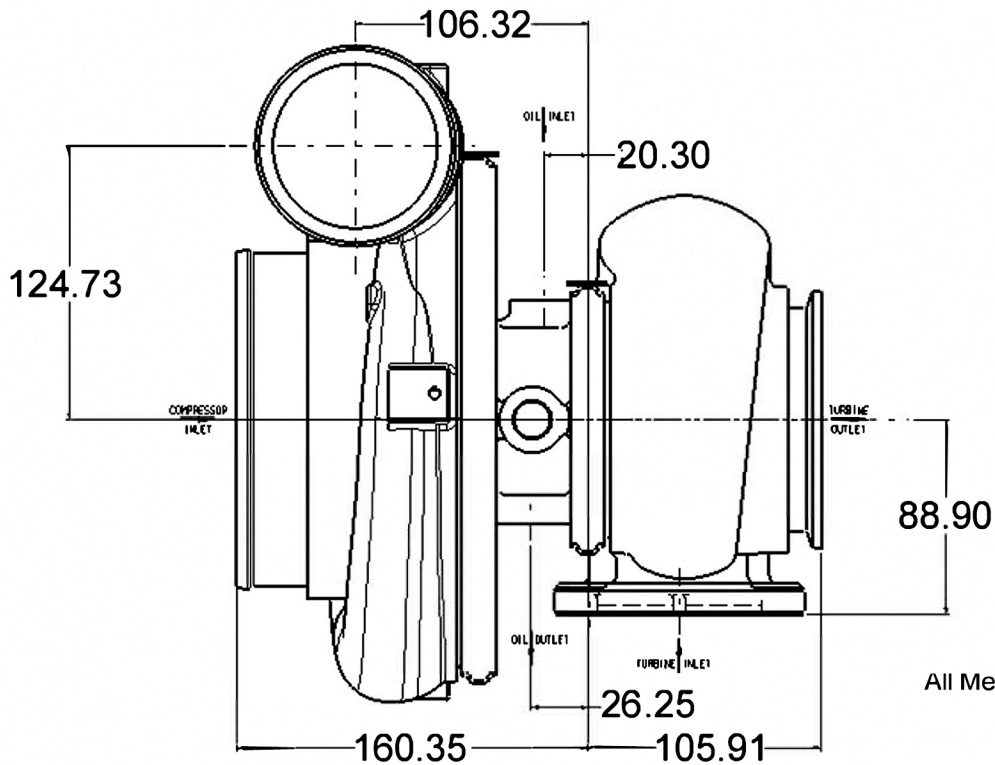


**Oil Outlet**



**Water**

M18 x 1.50



All Measurements in MM